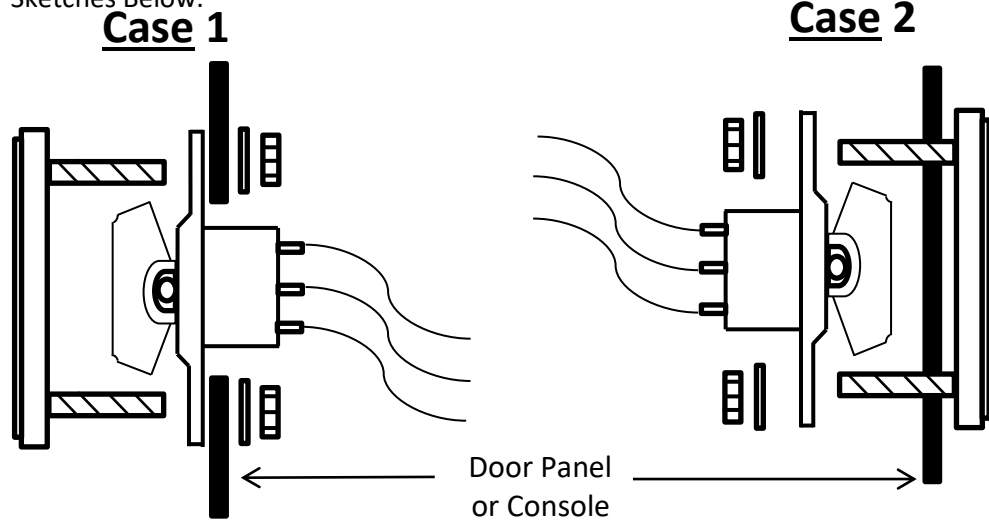


1. Determine the Location for the switch in your door panel or console. There are two ways that the switch, frame and your panel can come together – (1) with the switch and frame both outside the panel, or (2) with the switch inside the panel (3/16” max. panel thickness) and the frame outside the panel. Case (1) requires that you wire the switch to the polarity reversing module as a last step as the panel is installed. Case (2) allows you to wire everything, then install the switch, panel and frame when the panel is installed. For either case, the switch and frame will be attached to the panel, so leave ample wire to allow panel removal. See Sketches Below.



- 2. Cut Switch Holes** using the template/ dimensions **carefully** mark and cut holes.
- 3. Do the Wiring.** The polarity reversing module can be located in the kick panel, under the dash or in the door. In the door makes for the least number of wires going in-and-out of the door (2 wires, not counting additional remote control or other switches), but the polarity reversing module must be protected from moisture. Always ground to a good chassis ground, not inside the door. Complete the wiring per the diagrams on page 2.
- 4. Reconnect the main power and test your wiring.** For switches not oriented correctly for UP/DOWN, reverse either the yellow wire leads or the orientation of the switch in the panel.

Check us out on the web at www.watsons-streetworks.com

BILLET ALUMINUM POWER WINDOW SWITCH

(1) “3-WIRE” DIMPLE SWITCH

IN A BILLET FRAME WITH

#L39BS

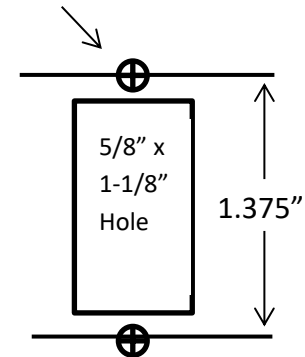
POLARITY REVERSING MODULE

“3-wire” power window switch (non-illuminated). Single Billet switch and frame with lead wires and polarity reversing module. Adapts directly for use with (+) output remote controls – no additional relays needed.

DISCONNECT MAIN POWER AT THE BATTERY
BEFORE DOING ANY WIRING!

Switch Panel Template

.125” (1/8”)
Stud Holes



Doing electrical work, but you just aren’t quite sure of yourself? Pick up a copy of our Basic Automotive Electricity Book. This fact filled book walks you through electricity from the basics to a complete automotive circuit diagram. And at just \$7.95 it’s better than aspirin at solving electrical headaches!

- NOTE: Additional Outside “Window Down” Switch and Remote Control are not included in this kit but are shown for wiring clarity. Other connections for the Remote Control are also not shown, Refer to the Remote Control Instructions.

