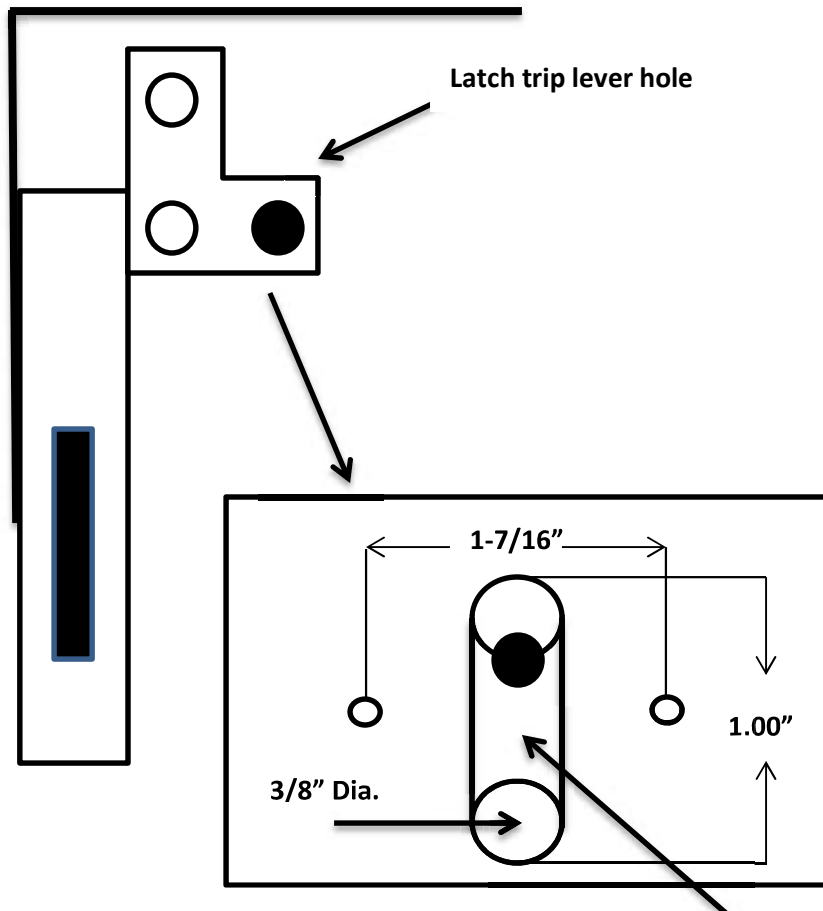


## Typical Installation in the Driver Door



New holes shown in relation to the latch trip hole lever.

CUT OUT

Watson's StreetWorks has an extensive line of street rod and custom car & Truck parts with one of the largest selections of billet trim & electrical accessories. Check us out on the web at [www.watsons-streetworks.com](http://www.watsons-streetworks.com).



## **Neat Nob™ Latch Release Kit #B14S**

with Round Face Plates and "Smooth" Nobs

Neat Nobs™ are inside releases for Bear Claw style latches.

This kit includes:

- Round Face Plate Trim
- "Smooth" Release Nobs with Hardware
- Mounting screws and installation instructions

**NOTE:** This kit will install directly to the latch. To allow positioning the release away from the latch, purchase one of our #B14R, Installation kits, sold separately.

*Manufactured by Watson's StreetWorks Rod & Custom Products*

Thank you for buying this product from Watson's StreetWorks. Please read & understand all instructions before beginning. Planning and preparation will make the entire process easy and quick.

1. Determine where the hole in your latch trip lever arm is in relation to the inner door skin.
2. Drill or Cut the new holes for the Neat Nob. (See Left) One hole will be a clearance hole for the Nob stud to go through the inner door skin (3/8" x 1" hole). There will be two holes for the face plate mounting screws, centered to the first hole and 1-7/16" apart. Pre-tap the mounting screw holes with a tap.
3. Install the Neat Nob stud through the new hole in the inner door skin and attach to the latch trip lever hole using hardware provided. Adjust for the desired length of the stud to properly position the Nob, **BUT** do not install Nob until the last step.
4. After upholstery is complete and the Neat Nob kit is to be installed, you may need to trim one screw to clear the trip lever. For best appearance, the upholstery should only need a slit to go over the Nob stud.
5. Install the Nob.