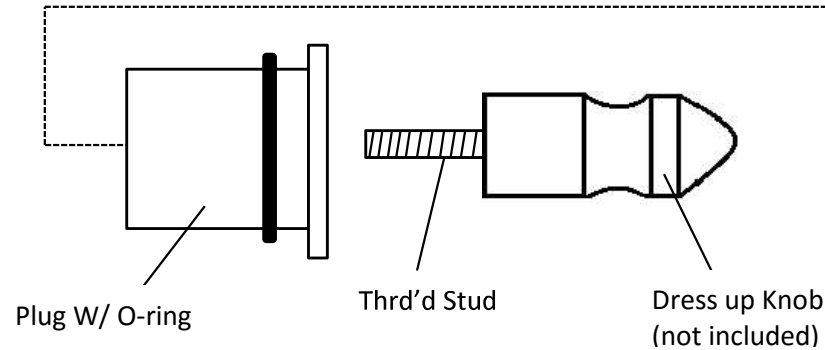
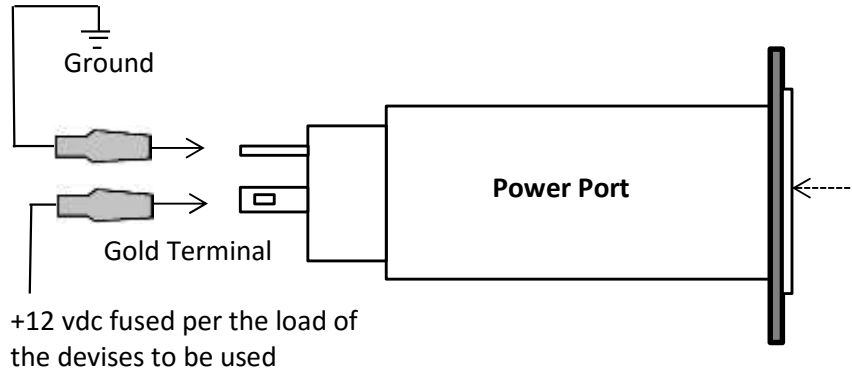


Doing electrical work, but you just aren't quite sure of yourself? Pick up a copy of our Basic Automotive Electricity Book. This fact filled book walks you through electricity from the basics to a complete automotive circuit diagram. And at just \$7.95 it's better than aspirin at solving electrical headaches!



Watson's StreetWorks has an extensive line of street rod and custom car and truck parts with one of the largest selections of billet interior trim and electrical accessories.

Check us out online at [www.watsons-streetworks.com](http://www.watsons-streetworks.com)

Thank you for buying our products!

## Electrical Power Port with Billet Plug – Accepts 10/32 Threaded Dress Up Knobs (not included) #B23

Add an attractive Electrical Power Port for charging portable electronic devices or running 12 vdc apparatus. Comes with a machined billet aluminum port plug and 10/32 threaded stud to allow you to attach a dress up knob to match or compliment your interior. The port mounts in a 7/8" diameter hole.

Includes: Power port, Machined billet plug w/O-ring, 10/32 threaded stud, Terminals and Spare O-ring.

Manufactured by Watson's StreetWorks Rod & Custom Products

Thank you for buying a StreetWorks product. Be confident that it will provide the quality and performance that you demand for your car. *Please read and understand all installation instructions before beginning.* Planning and preparation will make the entire process easy and quick.

1. Determine the location for the Power Port and carefully drill a 7/8" diameter hole and install the power port.
2. Wire per diagram provided. NOTE that the body of the power port is grounded if installed into a steel surface. However we suggest wiring the ground connection shown anyway. If installed into a non-metal surface, the ground connection is absolutely required.
3. To install the dress up knob of your choice (not included) thread the 10/32 stud into the knob snugly. Set screw or thread lock are optional. Next, screw the threaded stud/knob assembly into the Billet Plug and tighten securely by hand.

