



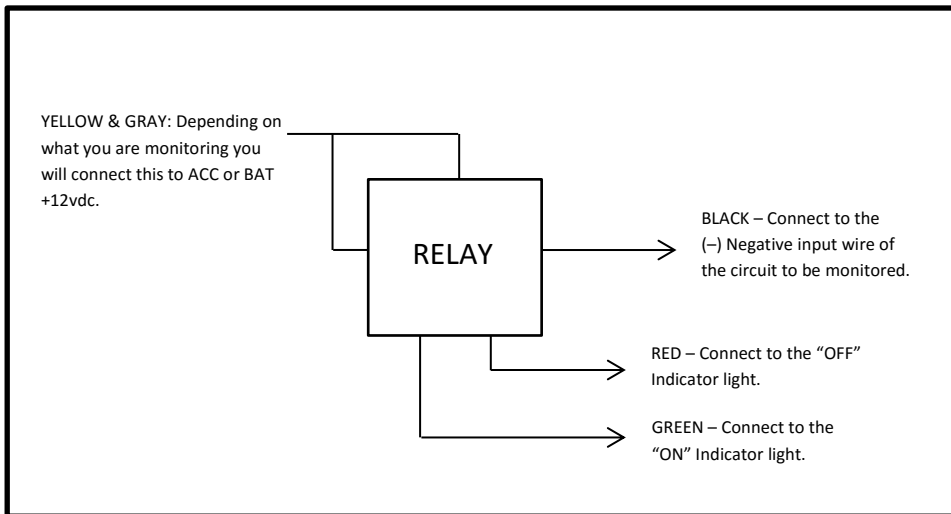
Thank you for buying a StreetWorks product. Be confident that it will provide the quality and performance that you demand for your car. **Please read and understand all installation instructions before beginning.** Planning and preparation will make the entire process easy and quick.

Circuit Status Indicator Relay Kit #L07D-IND

This relay, along with two indicator lights (not included) will provide positive circuit status feedback (ON/OFF status). Excellent for providing the driver with positive status for: Battery disconnect, Radiator fan, Fuel pump, etc. Can be used for a circuit that switches positive current (+) or Negative Current (-). Kit includes: Relay, Wire leads, and instructions.

1. Determine whether the circuit for which you wish to monitor the ON/OFF status is a positive input, (+) when ON (the most common), or a negative input, (-) when ON.
2. Wire per the appropriate diagram.

This diagram is for when you want to indicate a circuit that has the switch on the (-) Negative wire of that circuit.



This diagram is for when you want to indicate a circuit that has the switch on the (+) Positive wire of that circuit.

