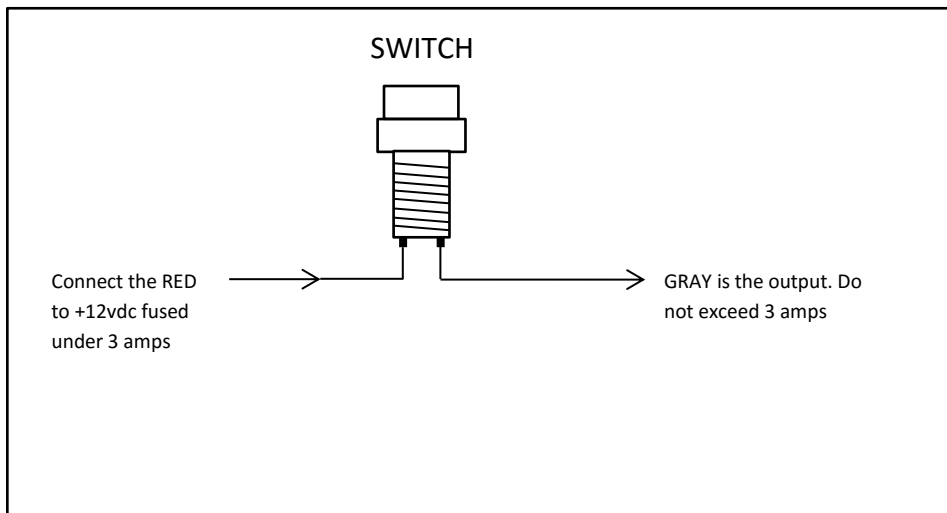




Thank you for buying a StreetWorks product. Be confident that it will provide the quality and performance that you demand for your car. **Please read and understand all installation instructions before beginning.** Planning and preparation will make the entire process easy and quick.

GENERAL SWITCH WIRING DIAGRAM



**Round, Chrome
Push Button Switch**

#L10R-P

**Switch mounts in 13/32" diameter hole.
DO NOT EXCEED 3 AMPS!!!**

Before you start Disconnect POWER at the BATTERY before doing any wiring!

1. **SWITCH MOUNTING** may be done in-dash, console, or under dash. The switch mounts in a 13/32" diameter hole. **DO NOT OVER TIGHTEN THE SWITCH IT WILL BREAK.**
2. **WIRING** Connect the RED wire to +12vdc either Ignition or Battery power depending on application. **DO NOT EXCEED 3 AMPS.** The GRAY wire is the output and will connect to the positive wire on the load. **SEE DIAGRAM**
3. **RECONNECT** main power and test connections.