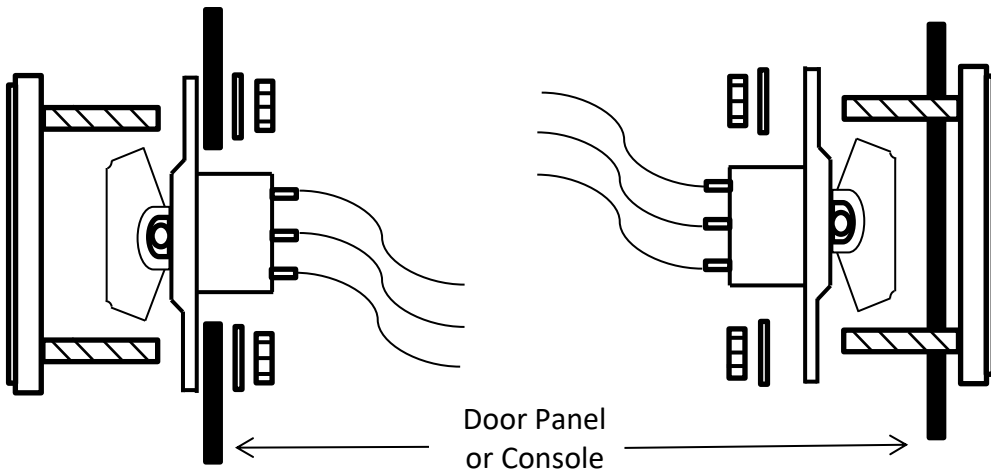


**1. Determine the Location** for the switches in your door panel or console. There are two ways that the switch, frame and your panel can come together – (1) with the switch and frame both outside the panel, or (2) with the switch inside the panel (3/16" max. panel thickness) and the frame outside the panel. Case (1) requires that you wire the switches as a last step as the panel ins installed. Case (2) allows you to wire everything, then install the switch, panel and frame when the panel is installed. For either case, the switch and frame will be attached to the panel, so leave ample wire to allow panel removal. See Sketches Below.

**Case 1**

**Case 2**



**2. Cut Switch Holes** using the template/ dimensions **carefully** mark and cut holes.

**3. Do the Wiring.** These are SPDT (single pole, double throw) switches. If the red wire is connected to +12vdc, the yellow wires will be energized +12vdc alternately as the switch is pushed one way or the other. See page 2 for a complete wiring diagram.

**4. Reconnect the main power and test your wiring.** For switches not oriented correctly, reverse either the yellow wire leads or the orientation of the switch in the panel.

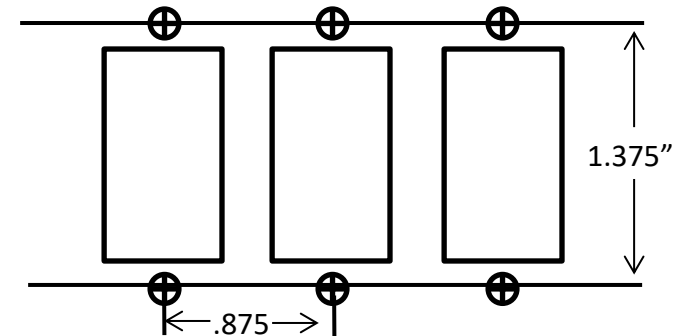
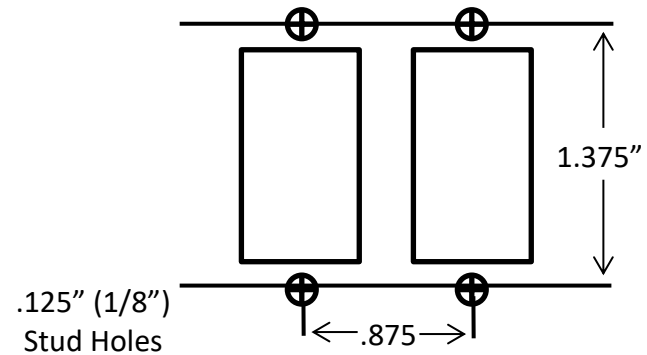
Check us out on the web at [www.watsons-streetworks.com](http://www.watsons-streetworks.com)

**2 Door P/W and Door Lock #L39BTDL  
Rectangular Switch Kit**

This kit is for a vehicle with 2 power windows And power door locks . This kit includes a 2 door master switch panel for the driver’s door and a double switch panels for window control and power door locks. This kit comes with the required polarity reversing modules, and connectors.

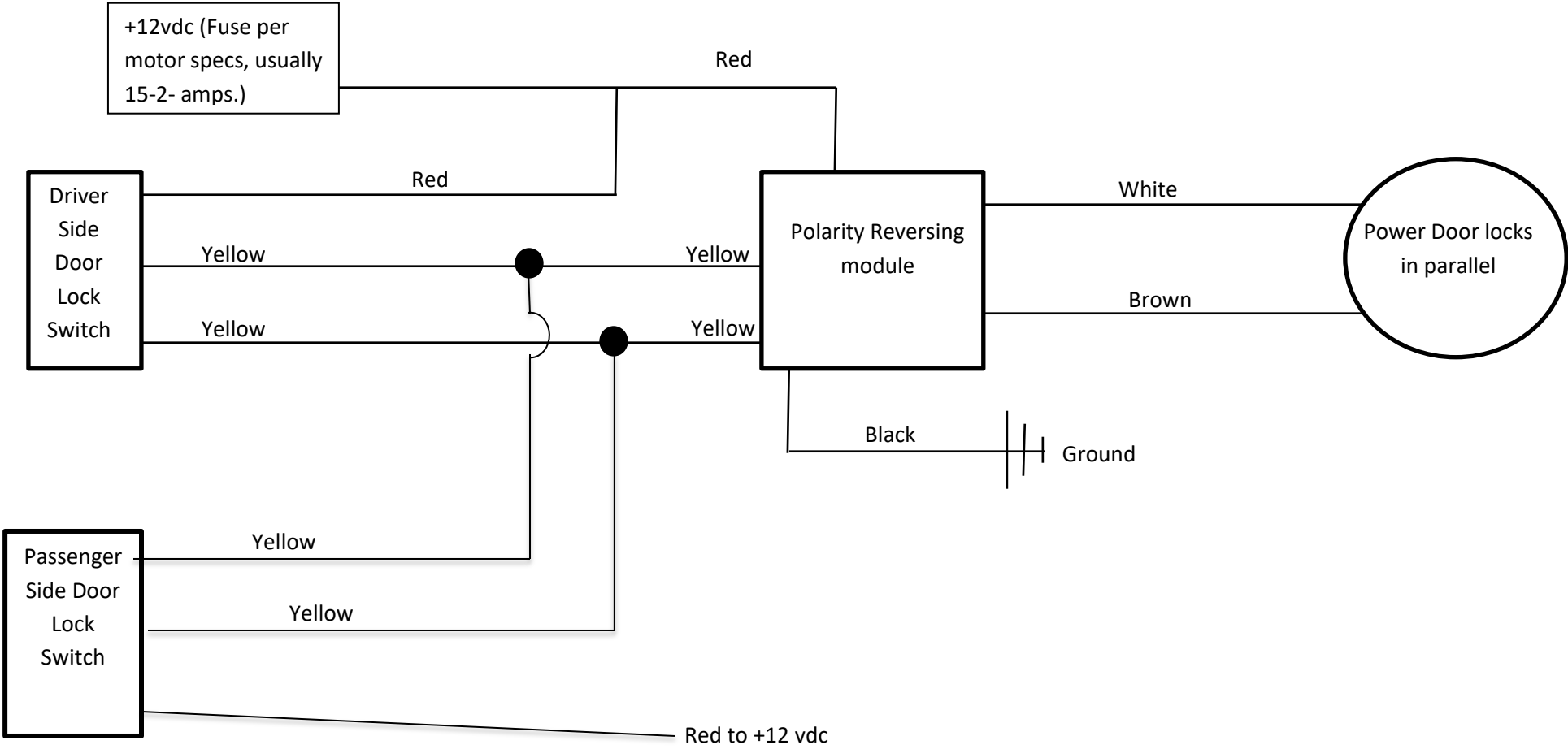
**DISCONNECT MAIN POWER AT THE BATTERY  
BEFORE DOING ANY WIRING!**

**Switch Panel Templates**

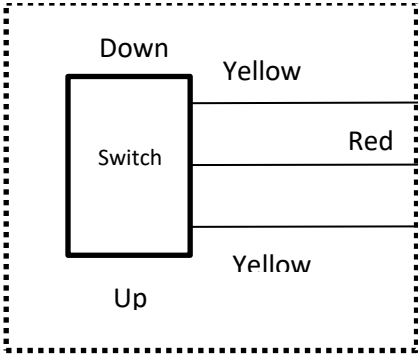


**Doing electrical work, but you just aren’t quite sure of yourself?** Pick up a copy of our Basic Automotive Electricity Book. This fact filled book walks you through electricity from the basics to a complete automotive circuit diagram. And at just \$7.95 it’s better than aspirin at solving electrical headaches!

# Power Door Lock Wiring

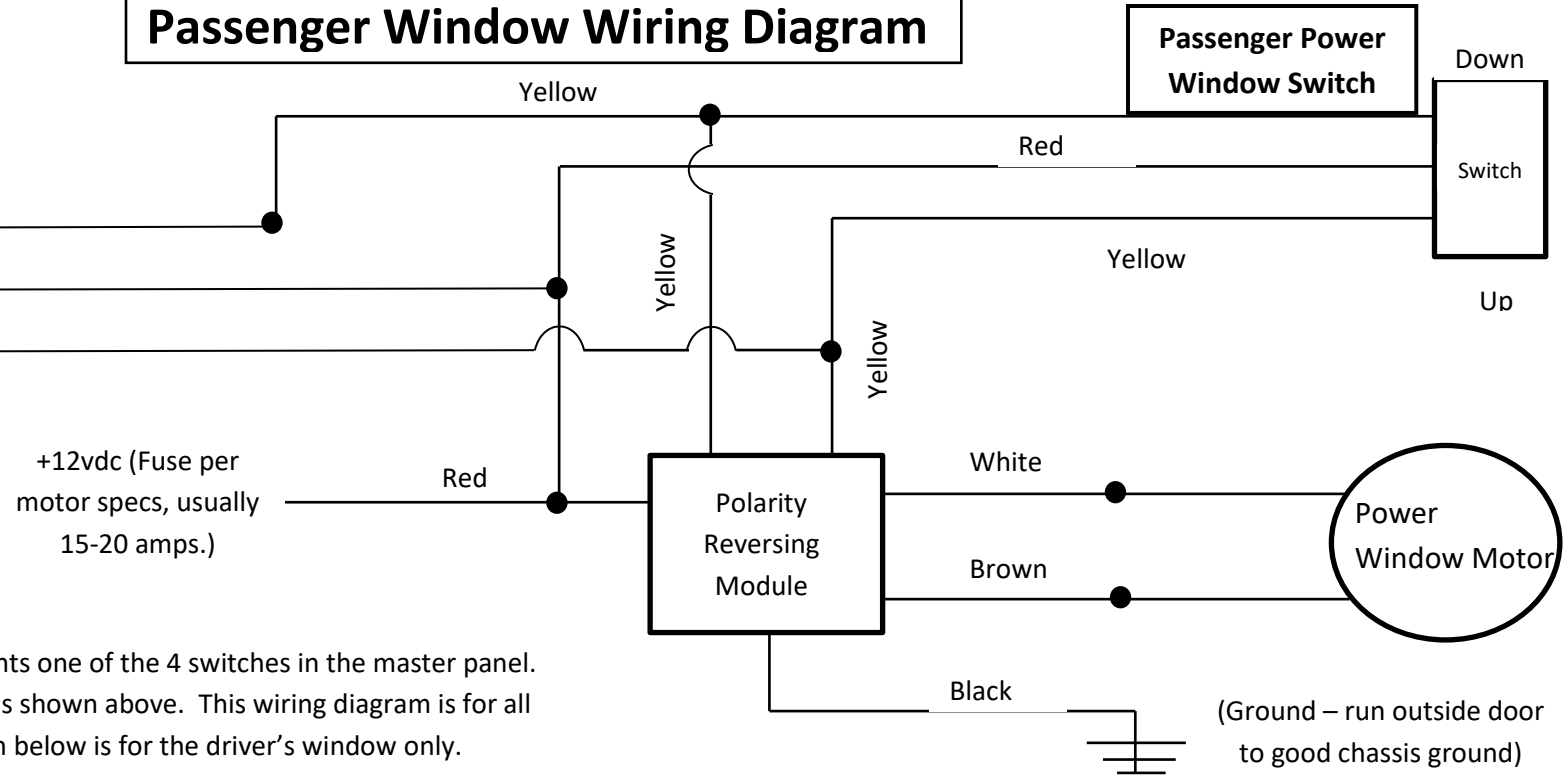


This single switch represents one switch of the three switches on the 3 Switch Master Panel.



The single switch shown above represents one of the 4 switches in the master panel. You will wire each switch in the panel as shown above. This wiring diagram is for all passenger windows. The diagram below is for the driver's window only.

## Passenger Window Wiring Diagram



## Driver Window Wiring Diagram

