

**Watson's**  
**StreetWorks**  
 4 Bud Way #3 Nashua NH 03063  
 866.859.0513  
 www.watsons-streetworks.com

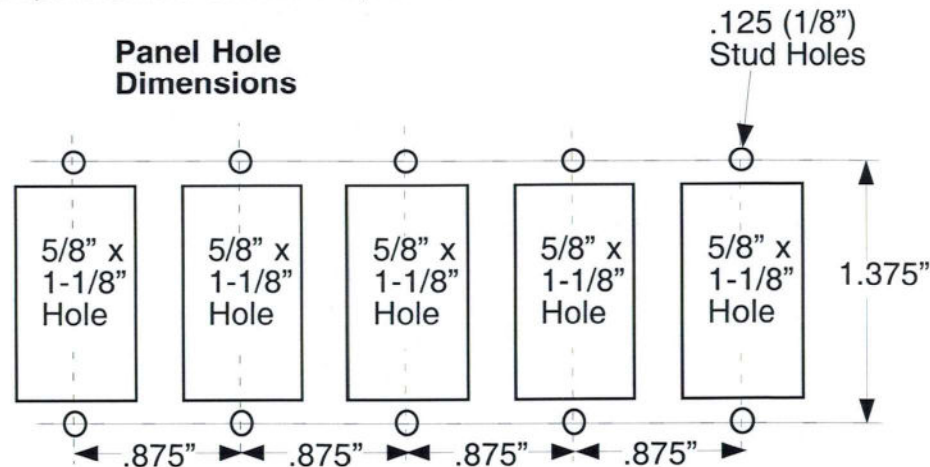
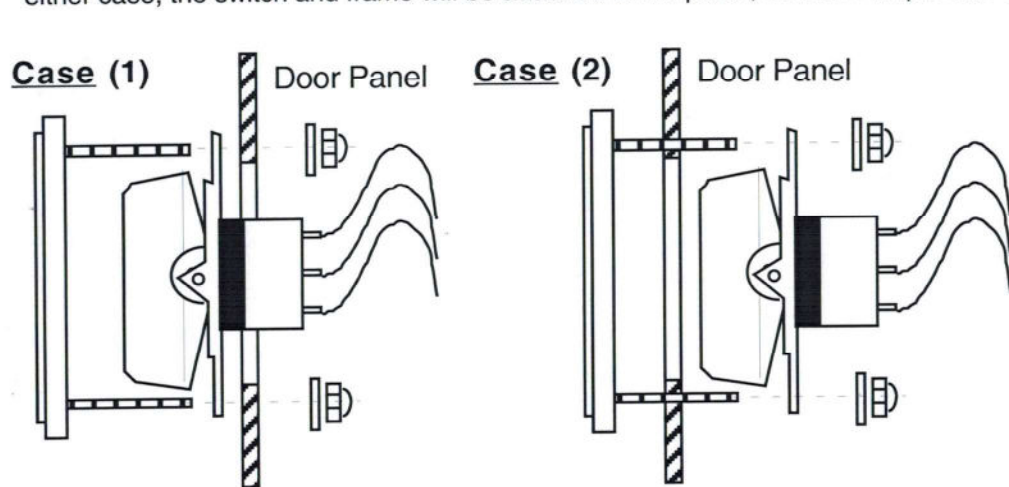
DRIVE IT !



Thank you for buying a StreetWorks product. Be confident that it will provide the quality and performance that you demand for your car. *Please read and understand all installation instructions before beginning.* Planning and preparation will make the actual installation process easy and quick.

**DISCONNECT ELECTRICAL POWER AT THE BATTERY BEFORE DOING ANY WIRING!**

**1. Determine the location** for the switches in your door panel or console. There are two ways that the switch, frame and your panel can come together - (1) with the switch and frame both outside the panel, or (2) with the switch inside the panel (3/16" max. panel thickness) and the frame outside the panel. Case (1) requires that you wire the switches as a last step as the panel is installed. Case (2) allows you to wire everything, then install the switch, panel and frame when the panel is installed. For either case, the switch and frame will be attached to the panel, so leave ample wire to allow panel removal. See sketches, below.



**2. Cut Switch Holes.** Using the template/dimensions, above, right, **carefully** mark and cut the holes

**3. Switch Wiring -** Refer to page (2) for wiring instructions.

**4. Reconnect main power and test your wiring.**

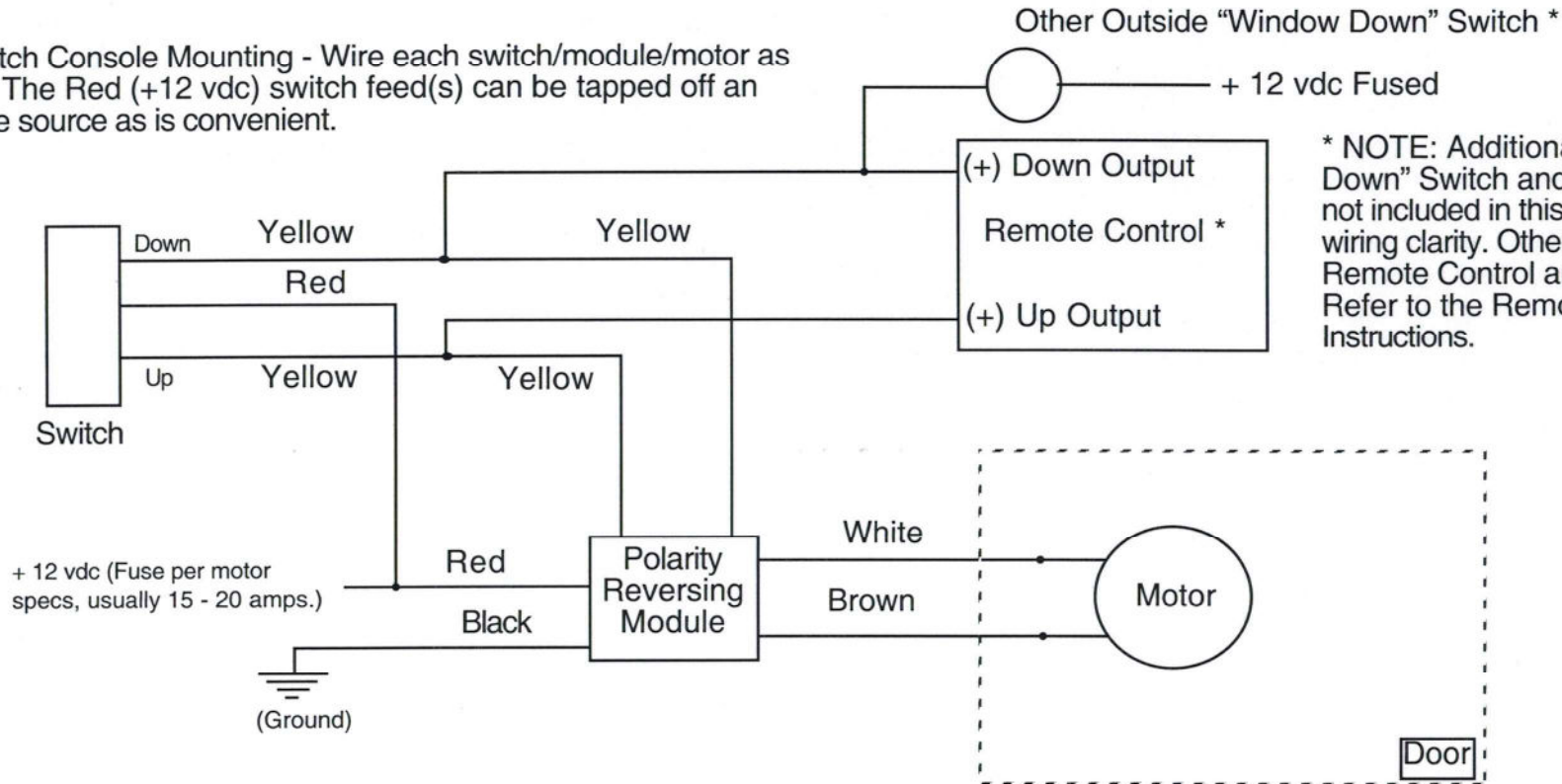
**BILLET ALUMINUM CUSTOM SWITCHES**

Custom made for: **Isidro Hurtado**  
 #L39BVOX-CSTM  
 5-Switch Vintage Oval

1. Drivers P/W Switch
2. Drivers Side Rear P/W Switch
3. Power Door Lock Switch
4. Passenger Side P/W Switch
5. Passenger Side Rear P/W Switch

2.27.14

For Switch Console Mounting - Wire each switch/module/motor as shown. The Red (+12 vdc) switch feed(s) can be tapped off an alternate source as is convenient.



\* NOTE: Additional Outside "Window Down" Switch and Remote Control are not included in this kit but are shown for wiring clarity. Other connections for the Remote Control are also not shown, Refer to the Remote Control Instructions.

If you are mounting both switches in the driver door - Wire the driver door switch/module/motor as shown above. The Red (+12 vdc) switch feed(s) can be tied together from the same source. The yellow switch wire leads off the second (passenger door) switch must exit the driver door, crossover to and enter the passenger door and connect to the passenger door module/motor as shown.